

PIANO HINGE LIP SURVEY

Please fill in the form below:

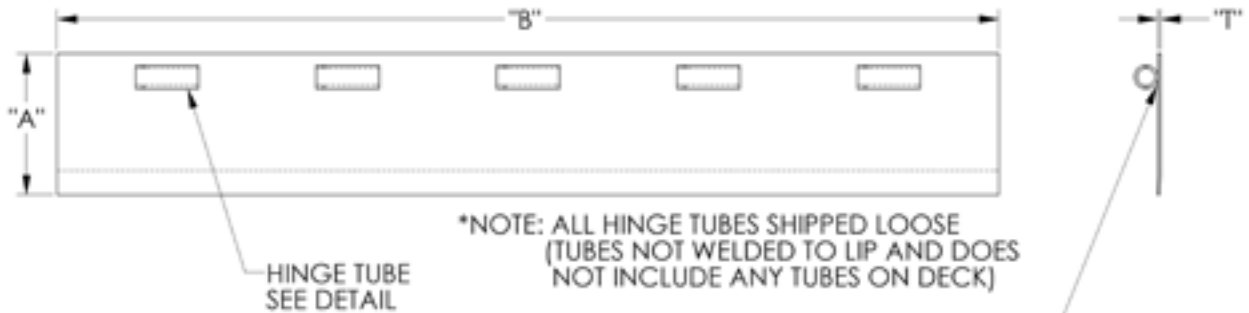
General

Date: _____

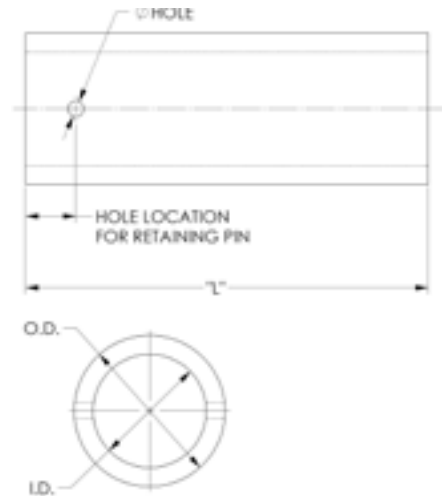
Installing Dealer:	Contact Name:
Phone Number:	

PLATE & HINGE TUBE INFORMATION

Make:	Model:	Serial #:
Type of Leveler: <input type="checkbox"/> Electrical <input type="checkbox"/> Mechanical <input type="checkbox"/> Hydraulic <input type="checkbox"/> Airbag		



Lip Length "A":	Lip Width "B":
Retaining Pin Hole Location:	
Hole Size:	
Lipshaft (Hinge Pin) Diameter:	
Shim or Spacer present: <input type="checkbox"/> No <input type="checkbox"/> Yes - Thickness:	
Lip Thickness "T": <input type="checkbox"/> 1/2" <input type="checkbox"/> 5/8" <input type="checkbox"/> 3/4"	
"L": Number of Pieces: _____ With Hole: <input type="checkbox"/>	



Inner Diameter (I.D.):	<input type="checkbox"/> 3/4"	<input type="checkbox"/> 1-1/8"	<input type="checkbox"/> 1-1/4"	<input type="checkbox"/> Other - Please Specify:
Outer Diameter (O.D.):	<input type="checkbox"/> 1-1/4"	<input type="checkbox"/> 1-5/8"	<input type="checkbox"/> 1-3/4"	<input type="checkbox"/> 2" <input type="checkbox"/> Other - Please Specify:

